



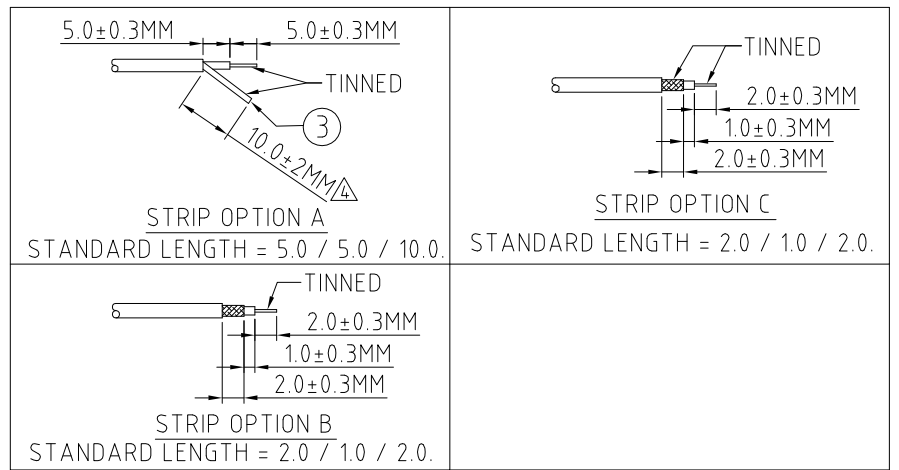
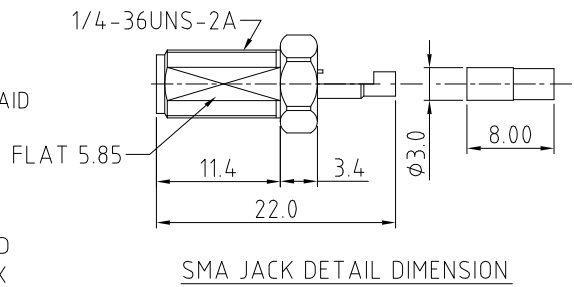
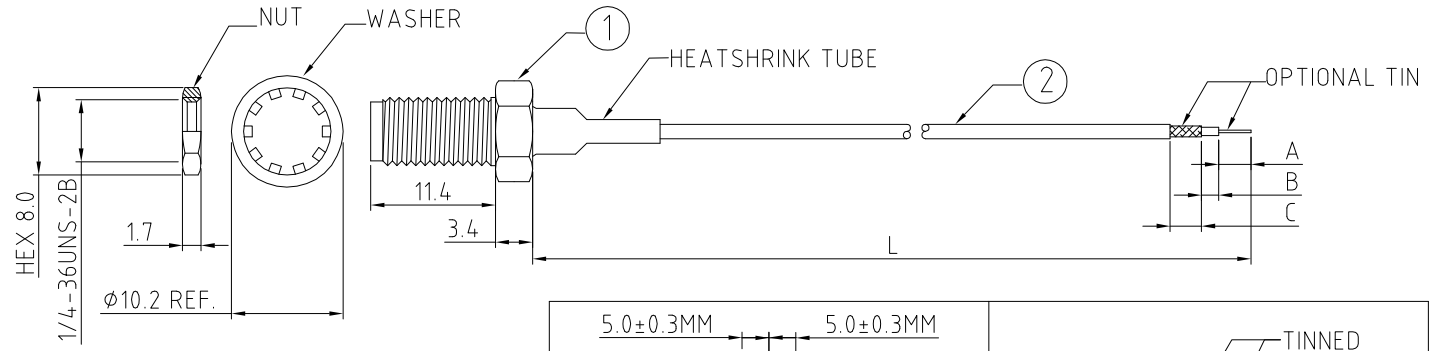
CAB065RF: RF CABLE ASSEMBLY, SMA STRAIGHT BULKHEAD JACK + 1.32 CABLE + STRIP / TIN

SPECIFICATIONS:

1. SMA ST BULKHEAD (P/N: C02ABWS178003B), GOLD
2. 1.32MM SINGLE SHIELD COAXIAL CABLE, COLOR: GRAY
3. TWISTED BRAID OR FLEXIBLE COPPER WIRE, LENGTH = A (CENTRE CONDUCTOR) + B (INSULATOR). MINIMUM = 6.0MM. LENGTH 6.0MM - 9.9MM: TWISTED BRAID. LENGTH +10MM: FLEXIBLE COPPER WIRE.

NOTES:

1. STRIP DIMENSION A / B / C STANDS FOR
A = CENTRE CONDUCTOR
B = INSULATOR
C = BRAID.
2. INSERTION LOSS TEST REPORT IS NOT AVAILABLE.
3. THIS IS OUR STANDARD OFFERING, SPECIAL DESIGNS ARE AVAILABLE, INCLUDING CUSTOM TOLERANCES AND SPECIAL TINNING DESIGNS. PLEASE CONTACT GRADCONN FOR MORE INFORMATION.
4. CENTRE CONDUCTOR AND TWISTED BRAID OF COAX CABLE IS TINNED. WHEN BRAID LENGTH EXCEEDS 10MM LENGTH OF TINNED COPPER WIRE IS SOLDERED TO THE BRAID/SHIELD OF THE COAX CABLE WHICH ALLOWS SOLDERING TO PCB.



HOW TO ORDER

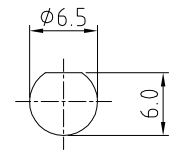
CAB065RF - X X X X - X.X / X.X / X.X - X - X

"L" LENGTH IN MM
eg: 100MM = 0100
(MIN. 025-MAX.400)
STANDARD = 100, 150, 200)
Tolerance: <50mm : ±2mm.
51-200mm: ±5mm.
201-500mm: ±7mm.
>500mm: ±10mm.

A/B/C STRIP DIMENSION IN MM
FOR STANDARD LENGTH PLEASE
REFER TO DRAWINGS.
(SPECIALS AVAILABLE UPON
REQUEST.)

WASHER AND NUT OPTIONS:
BLANK = SEPARATELY PACKED (STANDARD)
A = ASSEMBLED WITH CONNECTOR
△ C = WASHER AND NUT NOT SUPPLIED

STRIP AND TIN OPTIONS:
A = CENTER CONDUCTOR & TWISTED BRAID/SOLDERED COPPER WIRE TINNED (SEE NOTE 4 FOR SOLDER TO PCB APPLICATION)
B = STRIPPED, END A TINNED
C = STRIPPED, END A & C TINNED



RECOMMENDED SMA MOUNTING HOLE

REV. DATE & DRN	10 03/02/09 - NYW RELEASE
	11 08/10/09 - NYW CHANGE TWISTED BRAID TO SOLDERED COPPER WIRE.
	ADD SPECIFICATION OF COMPONENT 3.
	ADD NOTES 4.
	ADD WASHER & NUT OPTION.
	12 30/10/09 - NYW ADD STRIP OPTIONS B, C.
	13 26/11/09 - NYW ADD 1 DECIMAL PLACE TO STRIP DIMENSIONS AND CHANGE CABLE 065 RF. WAS CABLE 065 RF.
	14 11/07/11 - NYW △ AMEND TOLERANCE.
	15 14/10/14 - NYW △ ADD C TO WASHER & NUT OPTIONS.
	16 19/05/15 - NYW REMOVE STRIP OPTION '0'. AMEND STRIP OPTION 'A'.

Scale: NTS	THIRD ANGLE	Unstated Tolerances:	Material
Drawn: NYW		X ±0.2 .XX ±0.1 .XXX ±0.05 ANGLES ±5	SEE NOTE
App'd: XXX	Title: CABLE ASSEMBLY		NOT TO SCALE
Date: 19 MAY '15	Revision: 1.6		Unit: mm

Type: Cable 065 RF
CAB065RF
Drawing Number:
Sheet 1 of 1
Drawing © E and O E

THIS DRAWING IS CONFIDENTIAL AND MUST NOT BE COPIED OR DISCLOSED WITHOUT WRITTEN CONSENT